

# DATASHEET

rev. 01 - 3/10/2022

MADE IN ITALY

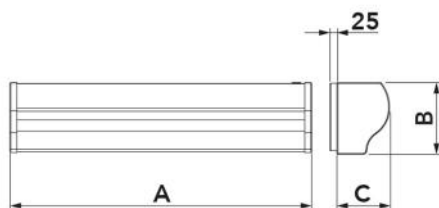
Tangential air curtain with upper extraction  
with double electrical heating element

12300050RI2 - 12300051RI2 - 12300055RI2  
12300056RI2



## TECHNICAL SPECIFICATIONS:

- 4 models in white
- 3 speeds operated by remote control
- Air curtains are designed for indoor use
- Panel with coloured LEDs to indicate operating mode
- Automatic starter kit on request
- Upper air intake
- Electric heater operated by remote control
- Option to partialise operation of electric elements
- The unit must be installed horizontally



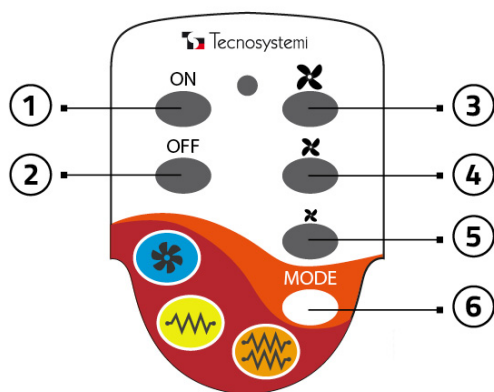
## DIMENSIONS

CODE	A [mm]	B [mm]	C [mm]	SUITABLE FOR DOORS [mm]	WEIGHT [kg]
12300050RI2	1085	250	185	L1000 H3000	15,7
12300051RI2	1085	250	185	L1000 H3000	15,7
12300055RI2	1440	250	185	L1500 H3000	22,3
12300056RI2	2040	250	185	L2000 H3000	29,6

## TECHNICAL DATA

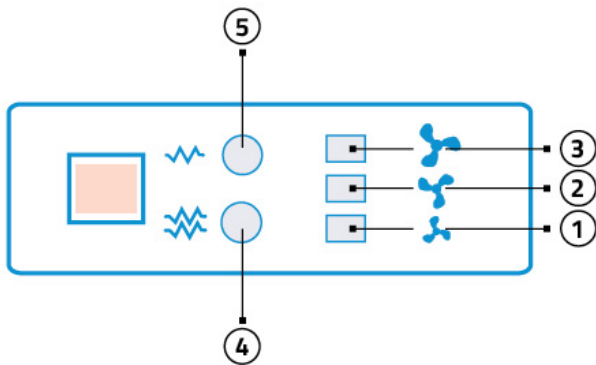
CODE	MODEL	SUPPLY VOLTAGE [V]	FREQUENCY [Hz]	POWER CONSUMPTION [W]	PARTIAL LOAD HEATING ELEMENT POWER [W]	TOTAL LOAD HEATING ELEMENT POWER [W]	AIR SPEED AT INLET [m/s]	AIR FLOW RATE [m³/s]	SOUND LEVEL [dB(A)]	ΔT AIR WITH HEATING ELEMENTS [°C]	TELECOMMANDO
12300050RI2	1100 right single fan	230 ac	50	75	1900	3800	I:7.5 II:8 III:8.5	675 720 738	64 65 66	25	Regolazione 3 velocità e ON/OFF resistenza carico totale e parziale
12300051RI2	1100 left single fan	230 ac	50	75	1900	3800	I:7.5 II:8 III:8.5	675 720 738	64 65 66	25	Regolazione 3 velocità e ON/OFF resistenza carico totale e parziale
12300055RI2	1500 central double fan	400 ac	50	190	3200	6400	I:7.5 II:8 III:8.5	1134 1174 1188	66 67 67	25	Regolazione 3 velocità e ON/OFF resistenza carico totale e parziale
12300056RI2	2000 central double fan	400 ac	50	190	3800	7600	I:7.5 II:8 III:8.5	1242 1278 1332	66.5 67 70	25	Regolazione 3 velocità e ON/OFF resistenza carico totale e parziale

## REMOTE CONTROL



- [1] ON / Turns the appliance on
- [2] OFF / Shuts the appliance off
- [3] Maximum speed
- [4] Medium speed
- [5] Low speed
- [6] Selection of heating element

## DASHBOARD LABEL



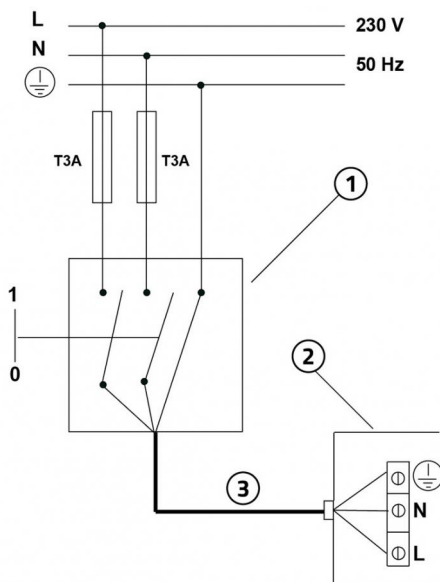
- [1] 1st speed (Min) 1 LED LIT
- [2] 2nd speed (Med) 2 LEDS LIT
- [3] 3rd speed (Max) 3 LEDS LIT
- [4] Heating element at total load (orange LED)
- [5] Heating element at partial load (yellow LED)

## AUTOMATIC START KIT FOR AIR CURTAINS.



This kit, sold separately from the air curtain, allows you to switch the machine on and off by opening and closing the door.

## SINGLE-PHASE POWER SUPPLY AND WIRING DIAGRAM

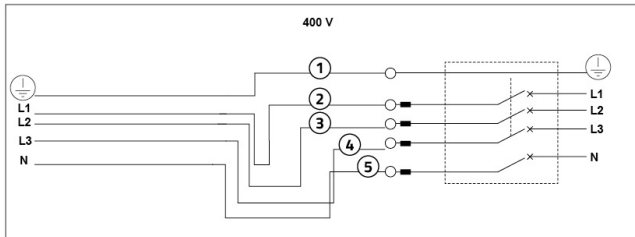


- [1] Omnipolar thermal magnetic protection switch compliant with EN 61508:1
- [2] Power cable 3x2.5 mm<sup>2</sup>
- [3] Electrical connection box

### IMPORTANT!

During the electrical connection, the installer must comply with the polarities indicated by the plate in front of the power supply terminal board.

## THREE-PHASE POWER SUPPLY AND WIRING DIAGRAM



[L1 - L2 - L3] Connect the line conductor: all safety guards are fitted inside

[N] Connect the neutral connector

Connect the conductor [1] having a length greater than 1 cm compared to [L1] and [N]

[1] YELLOW/GREEN

[2] BROWN

[3] BLACK

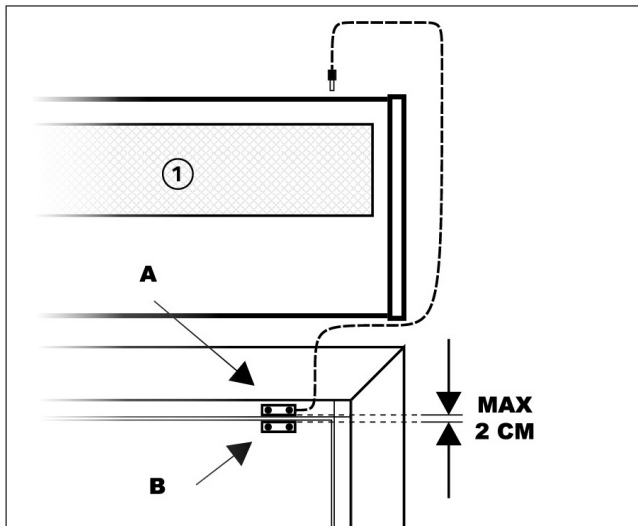
[4] WHITE

[5] BLUE

**IMPORTANT!**

During the electrical connection, the installer must comply with the polarities indicated by the plate in front of the power supply terminal board.

## INSTALLING AND COMMISSIONING THE AUTOMATIC START KIT (optional)



[1] Air curtain

Connect the wired sensor to the air curtain via jack.

Attach the magnetic sensor A to the door casing or to a solid point with the door frame.

Attach the second sensor to the moving part of the door leaving no more than 2 cm between the two sensors.

When the "automatic start kit" is installed, the air curtain can be switched on and off with the opening / closing of the door.

## ITEMS

CODE	DESCRIPTION
12300050RI2	"ARIA3 SILENCE" RESIDENTIAL DUAL-FAN AIR CURTAINS WITH 2 RESISTANCES 1100 DX
12300051RI2	"ARIA3 SILENCE" RESIDENTIAL DUAL-FAN AIR CURTAINS WITH 2 RESISTANCES 1100 SX
12300055RI2	"ARIA3 SILENCE" RESIDENTIAL DUAL-FAN AIR CURTAINS WITH 4 RESISTANCES 1500 CEN
12300056RI2	"ARIA3 SILENCE" RESIDENTIAL DUAL-FAN AIR CURTAINS WITH 4 RESISTANCES 2000 CEN