

## STEALTH 3X

built-in wired backlit programmable thermostat with touch

GAD100015



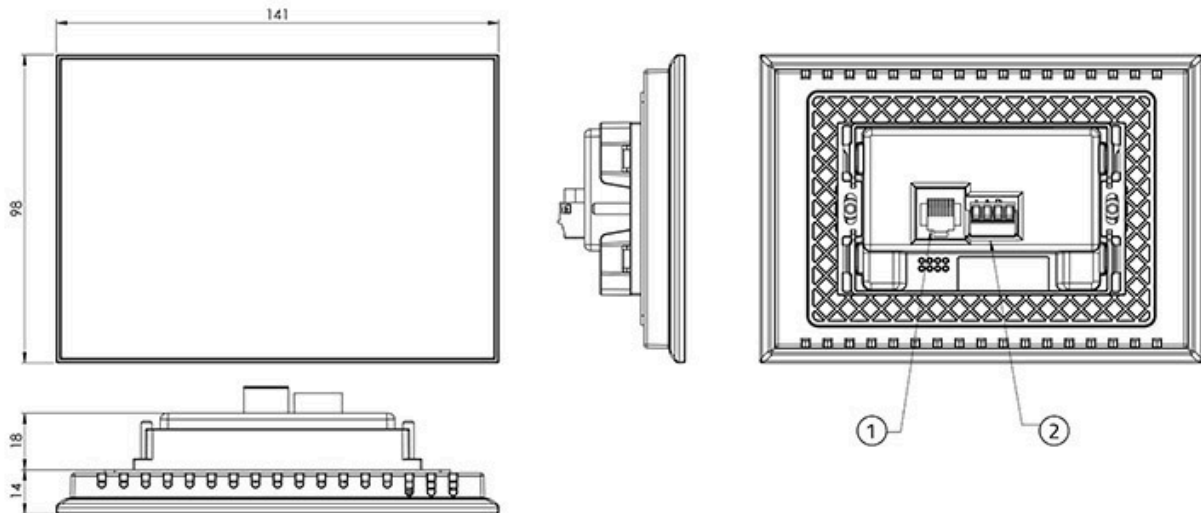
### TECHNICAL SPECIFICATIONS:

- Power supply and data transmission: 4-pin cable
- Signal range 100 m max between programmable thermostat and "Polaris" control unit
- Built-in mounted on E503 type boxes by means of adapter, screws and fixing plugs supplied
- 4.5" LCD display with white backlit background

### FUNCTIONS

- Touch keypad
- Timed or manual features
- Automatic or manual adjustment of damper and nozzle
- Timed thermostat lock
- Temperature scale °C / °F
- RH display in %
- Humidity control in radiant cooling mode with relay module
- Ready for window contact
- AT and set point value
- Clock (AM - PM / 24h)
- Daily and weekly feature
- Protrusion from flush wall 15 mm

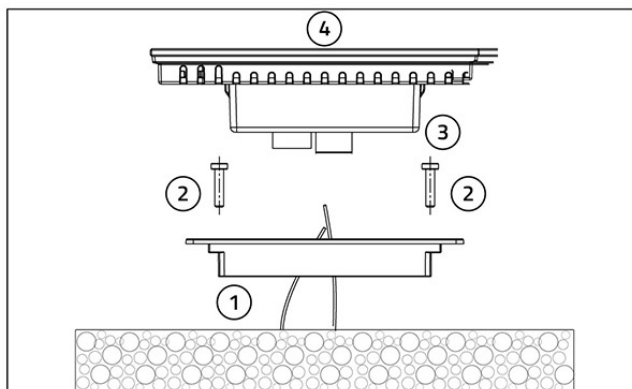
## DIMENSIONS



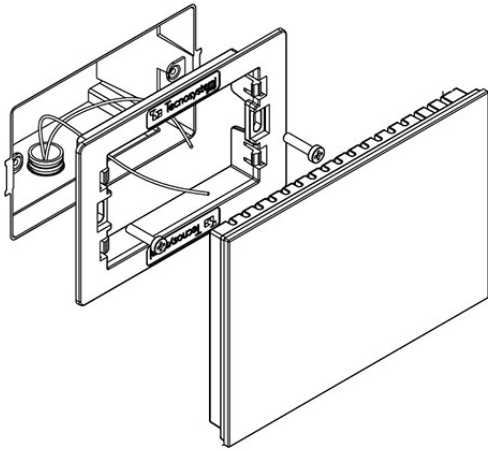
- [1] RJ45 connector
- [2] Polarised 4-pin connector

## FIXING

The mounting of the built-in chronothermostat on E503 type boxes by means of adaptor, screws and fixing plugs supplied. It is applied using the screws and the template supplied, inside the traditional electric built-in boxes type E503. The power supply of the programmable thermostat and the transmission of data with the control unit are carried out by means of 4-pole wired bus type wiring.



- [1] Adapter for box E503
- [2] Screw
- [3] Connector
- [4] Timed thermostat



## ITEMS

CODE	DESCRIPTION
GAD100015	