

DATASHEET

rev. 00 - 24/10/2022

SIRIO 0.10V

motorised butterfly damper in plastic material

GAD300014 - GAD300015 - GAD300016
GAD300017 - GAD300018



DESCRIPTION

The "Sirio 0.10V" system allows the management of the temperature or air flow for each room, without the aid of any control unit or a particular command.

The motorised circular damper integrates perfectly with new and existing ducted systems in which it is necessary to manage only part of the ducted system: this solution does not require the installation of any system that manages the switching on/off of the internal unit or the movement of the motorised Bypass.

It allows the management of the air flow in the individual rooms by applying a 0-10V regulator (easily available on the market) to each single "Sirio 0.10V" damper present in the system: to manage the switching on and off of the ducted units, just use the on/off output auxiliary contacts.

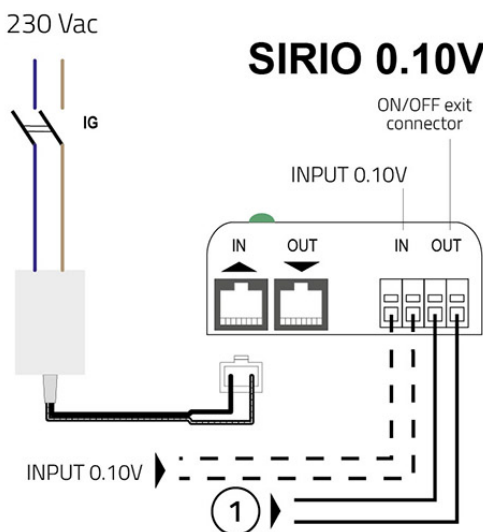
The throttle of the "Sirio 0.10V" damper can be controlled at selected intervals, from min 0° (0V, throttle closed) to max 90° (10V, throttle open): with the throttle closed, the on-off contact in output will be open.

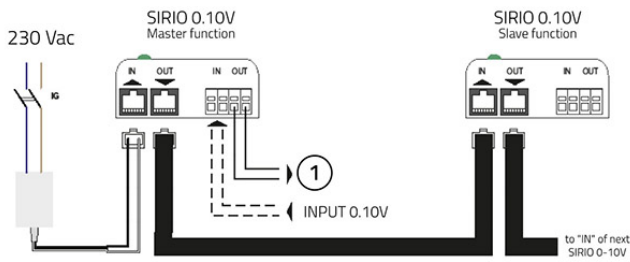
TECHNICAL SPECIFICATIONS:

- Anti-condensation ABS plastic
- Built-in power supply included
- OUT contact: ON/OFF (closed, butterfly valve open) (open, butterfly valve closed)
- Input: 0-10V (regulator not supplied and not listed in the catalogue)
- Removable, rotatable motor for easy maintenance
- Operating temperature 0°C A +70°C
- Available in 5Ø

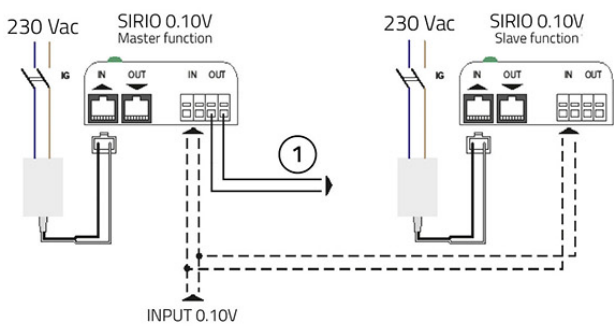
WIRING DIAGRAMS SIRIO 0.10V

[1] Close with damper open, open with damper closed





[1] Close with damper open, open with damper closed



[1] Close with damper open, open with damper closed

ITEMS

| CODE | DESCRIPTION |
|-----------|-------------|
| GAD300014 | |
| GAD300015 | |
| GAD300016 | |
| GAD300017 | |
| GAD300018 | |