

# DATASHEET

rev. 00 - 4/11/2022

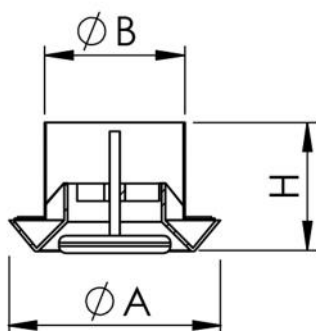
## Adjustable ABS plastic air delivery/return ventilation valve white

11161319 - 11161320 - 11161321  
11161322 - 11161323



### TECHNICAL SPECIFICATIONS:

- Made of white ABS RAL 9016
- Prevents condensation phenomena
- Operating temperature - 40°C to +40°C
- Suitable for delivery and intake
- Fastening by means of hidden screws on mounting collar



### DIMENSIONS

CODE	Ø A [mm]	Ø B [mm]	Ø H [mm]	FLOW RATE [m³/h]
11161319	130	76	75	31
11161320	140	96	75	47
11161321	175	120	75	72
11161322	200	145	75	102
11161323	250	195	75	180

## ITEMS

CODE	DESCRIPTION
11161319	ADJUSTABLE VENTILATION VALVES IN ABS PLASTIC, WHITE, FOR AIR EXTRACTION Ø 80mm
11161320	ADJUSTABLE VENTILATION VALVES IN ABS PLASTIC, WHITE, FOR AIR EXTRACTION Ø 100mm
11161321	ADJUSTABLE VENTILATION VALVES IN ABS PLASTIC, WHITE, FOR AIR EXTRACTION Ø 125mm
11161322	ADJUSTABLE VENTILATION VALVES IN ABS PLASTIC, WHITE, FOR AIR EXTRACTION Ø 150mm
11161323	ADJUSTABLE VENTILATION VALVES IN ABS PLASTIC, WHITE, FOR AIR EXTRACTION Ø 200mm