

Built-in or wall-mounted regulator for 230 V motorised butterfly damper

11161874 - 11161875



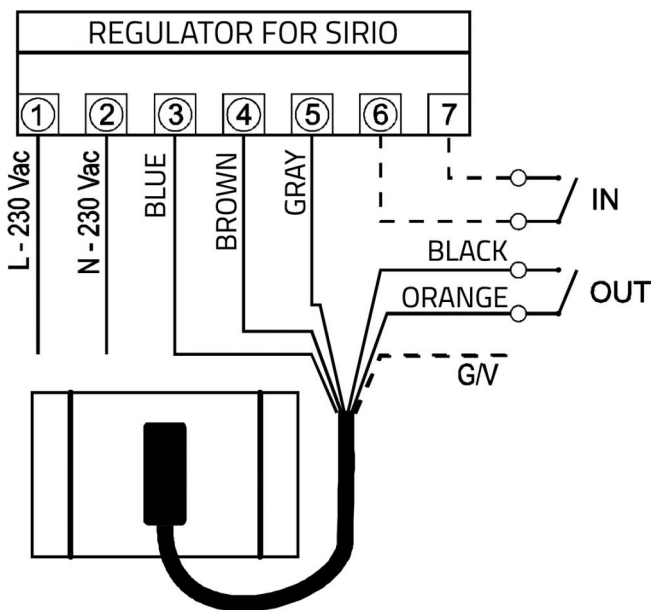
## DESCRIPTION

By manually acting on the regulator, it is possible to partialise the butterfly valve of the damper from 0° to 90°. The LED lights on the regulator indicate the position of the damper.

## TECHNICAL SPECIFICATIONS:

- Power supply 230 V - 50/60 Hz
- Modulating controller
- LED graduated scale

## WIRING CONNECTION DIAGRAM



## ITEMS

CODE	DESCRIPTION
11161874	BUILT-IN POINT-POINT CONTROLLER FOR ELECTRIC BUTTERFLY DAMPER 230V
11161875	WALL-MOUNTED POINT-POINT CONTROLLER FOR ELECTRIC BUTTERFLY DAMPER 230V