

# DATASHEET

rev. 00 - 20/10/2022

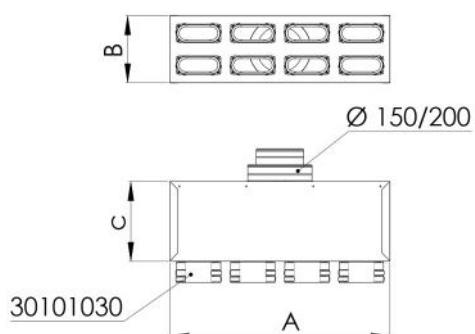
Insulated box in sheet metal for flexible ducted pipe 4 - 6 - 8 - 10 - 12 oval outputs 120 x 35

ACD600007 - ACD600010 - ACD600013  
ACD600016 - ACD600019



## TECHNICAL SPECIFICATIONS:

- Made of galvanized sheet metal
- External insulation in 3 mm thick polyethylene
- Air inlet collar with double diameter with hose connection  $\varnothing$  150 - 200
- Outgoing collars as shown in the table
- Complete with brackets for ceiling mounting



## DIMENSIONS

CODE	A [mm]	B [mm]	C [mm]	INPUT $\varnothing$ [mm]	No. of OUTLETS - [mm]
ACD600007	350	210	250	150 / 200	4 OVALS 120 x 35
ACD600010	520	210	250	150 / 200	6 OVALS - 120 x 35
ACD600013	690	210	250	150 / 200	8 OVALS - 120 x 35
ACD600016	860	210	250	150 / 200	10 OVALS - 120 x 35
ACD600019	1030	210	250	150 / 200	12 OVALS - 120 x 35

## ITEMS

CODE	DESCRIPTION
ACD600007	INSULATED SHEET METAL PLENUM FOR FLEXIBLE HOSE WITH 4 OVAL OUTLETS 120X35
ACD600010	INSULATED SHEET METAL PLENUM FOR FLEXIBLE HOSE WITH 6 OVAL OUTLETS 120X35
ACD600013	INSULATED SHEET METAL PLENUM FOR FLEXIBLE HOSE WITH 8 OVAL OUTLETS 120X35
ACD600016	INSULATED SHEET METAL PLENUM FOR FLEXIBLE HOSE WITH 10 OVAL OUTLETS 120X35
ACD600019	INSULATED SHEET METAL PLENUM FOR FLEXIBLE HOSE WITH 12 OVAL OUTLETS 120X35