

DATASHEET

rev. 00 - 28/10/22

MADE IN ITALY

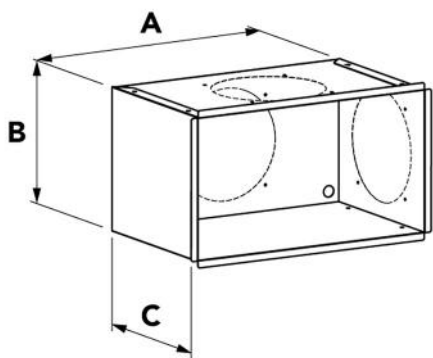
Insulated plenum prepared for 3 inputs

PWD100003 - PWD100004 - PWD100006
PWD100009 - PWD400080 - PWD400081
PWD100005 - PWD100001 - PWD100010
PWD400222 - PWD100007 - PWD100008
PWD100002 - PWD400311



TECHNICAL SPECIFICATIONS:

- Made of galvanized sheet metal
- Closed-cell polyethylene outer coating
- Pre-cut holes (upper, lower, side)
- Collar for hose coupling supplied (in table list of possible combinations).



DIMENSIONS:

| CODE | NOZZLE DIMENSIONS [mm] | EXTERNAL DIMENSIONS PLENUM A x B [mm] | PLENUM DEPTH C [mm] | PRE-CUTTING HOLE SIZE [mm] | REAR COLLAR MODEL | UPPER / LOWER COLLAR MODEL | SIDE COLLAR MODEL (R-L) |
|-----------|------------------------|---------------------------------------|---------------------|----------------------------|-------------------|----------------------------|-------------------------|
| PWD100003 | 232 x 132 | 210 x 110 | 205 | 150 | | C3 OVAL Ø 125-150 | |
| PWD100004 | 332 x 132 | 310 x 110 | 205 | 150 | | C3 OVAL Ø 125-150 | |
| PWD100006 | 432 x 132 | 410 x 110 | 205 | 150 | | C3 OVAL Ø 125-150 | |
| PWD100009 | 532 x 132 | 510 x 110 | 205 | 150 | | C3 OVAL Ø 125-150 | |
| PWD400080 | 632 x 132 | 610 x 110 | 205 | 150 | | C3 OVAL Ø 125-150 | |
| PWD400081 | 1032 x 132 | 1010 x 110 | 205 | 150 | | C3 OVAL Ø 125-150 | |
| PWD100005 | 332 x 182 | 310 x 160 | 205 | 150 | E5 Ø 150 | E5 Ø150 | E5 Ø 150 |
| PWD100001 | 432 x 182 | 410 x 160 | 205 | 150 | E5 Ø 151 | E5 Ø150 | E5 Ø 150 |
| PWD100010 | 532 x 182 | 510 x 160 | 205 | 150 | N° 2 x E5 Ø 150 | No.2 x E5 Ø150 | E5 Ø 150 |
| PWD400222 | 1032 x 182 | 1010 110 | 205 | 150 | N° 2 x E5 Ø 150 | No.2 x E5 Ø150 | E5 Ø 150 |
| PWD100007 | 332 x 232 | 310 x 210 | 205 | 200 | B2 Ø 150-200 | B2 Ø150-200 | B2 Ø 150-200 |
| PWD100008 | 432 x 232 | 410 x 210 | 205 | 200 | B2 Ø 150-200 | B2 Ø150-200 | B2 Ø 150-200 |
| PWD100002 | 532 x 232 | 510 x 210 | 205 | 200 | | No.2 x B2 Ø150-200 | B2 Ø 150-200 |
| PWD400311 | 532 x 332 | 510 x 310 | 205 | 200 | | No.2 x B2 Ø150-200 | B2 Ø 150-200 |

ITEMS

| CODE | DESCRIPTION |
|-----------|---|
| PWD100003 | INSULATED PLENUM WITH 3 INPUTS - COLLAR PROVIDED MOD. C3 Ø125-150 - 232x132 |
| PWD100004 | INSULATED PLENUM WITH 3 INPUTS - COLLAR PROVIDED MOD. C3 Ø125-150 - 332x132 |
| PWD100006 | INSULATED PLENUM WITH 3 INPUTS - COLLAR PROVIDED MOD. C3 Ø125-150 - 432x132 |
| PWD100009 | INSULATED PLENUM WITH 3 INPUTS - COLLAR PROVIDED MOD. C3 Ø125-150 - 532x132 |
| PWD400080 | INSULATED PLENUM WITH 3 INLETS FOR COLLARS MOD. C3 Ø125-150 - 632x132 |
| PWD400081 | INSULATED PLENUM WITH 3 INLETS FOR COLLARS MOD. C3 Ø125-150 - 1032x132 |
| PWD100005 | INSULATED PLENUM WITH 3 INPUTS - COLLAR PROVIDED MOD. E5 Ø150 - 332x182 |
| PWD100001 | INSULATED PLENUM WITH 3 INPUTS - COLLAR PROVIDED MOD. E5 Ø150 - 432x182 |
| PWD100010 | INSULATED PLENUM WITH 3 INPUTS - COLLAR PROVIDED MOD. E5 Ø150 - 532x182 |
| PWD400222 | INSULATED PLENUM FOR 3 INPUTS SET UP FOR COLLARS MOD. E5 Ø150 - 1032x182 |
| PWD100007 | INSULATED PLENUM WITH 3 INPUTS - COLLAR PROVIDED MOD. B2 Ø150-200 - 332x232 |
| PWD100008 | INSULATED PLENUM WITH 3 INPUTS - COLLAR PROVIDED MOD. B2 Ø150-200 - 432x232 |
| PWD100002 | INSULATED PLENUM WITH 3 INPUTS - COLLAR PROVIDED MOD. B2 Ø150-200 - 532x232 |
| PWD400311 | INSULATED PLENUM FOR 3 INPUTS SET UP FOR COLLARS MOD. B2 Ø150-200- 532x332 |