

# DATASHEET

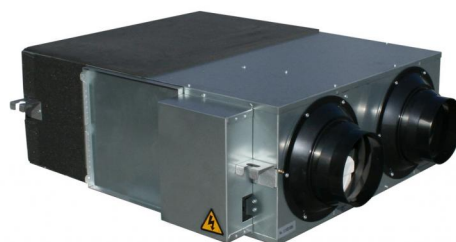
rev. 00 - 18/10/2022

## HI-TECH PUR

Enthalpic heat recovery unit ceiling-mounted ducted

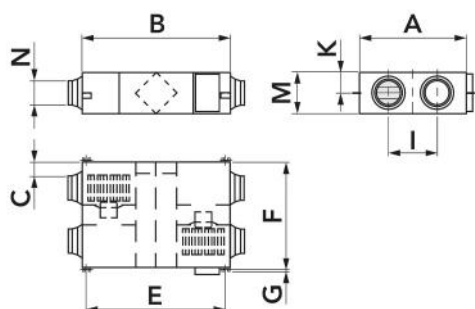
12300012 - 12300014 - 12300015

12300016 - 12300017



### TECHNICAL SPECIFICATIONS:

- Heat recovery unit inspection compartment
- Removable heat exchanger pack
- Removable grade G3 filters
- Anchor brackets
- External insulation
- Motors with polystyrene insulation
- Electronic bypass



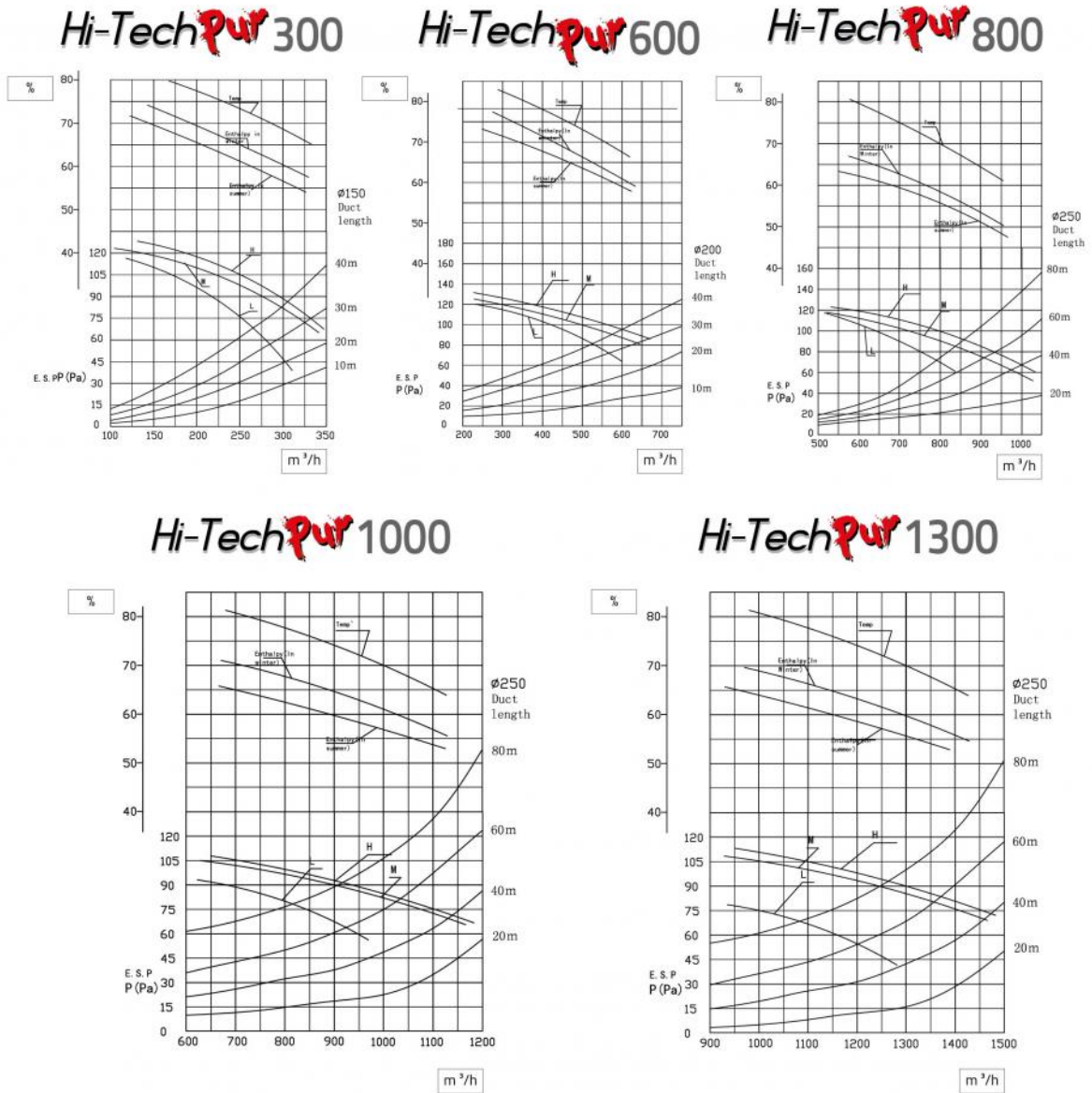
### DIMENSIONS

CODE	MOD.	A [mm]	B [mm]	C [mm]	E [mm]	F [mm]	G [mm]	I [mm]	K [mm]	M [mm]	N [mm]
12300012	300	599	744	100	675	657	19	315	111	270	Ø 144
12300014	600	904	824	107	754	960	19	500	111	270	Ø 194
12300015	800	884	1116	85	1045	940	19	428	170	388	Ø 242
12300016	1000	1134	1116	85	1045	1190	19	678	170	388	Ø 242
12300017	1300	1134	1116	85	1045	1190	19	678	170	388	Ø 242

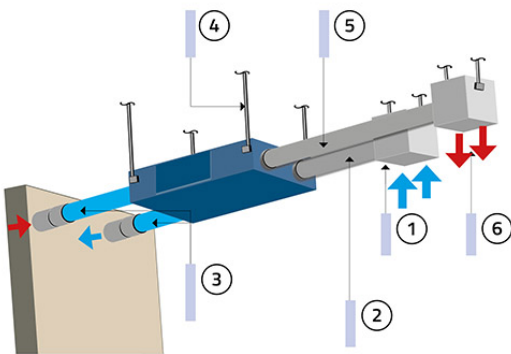
## TECHNICAL DATA

MOD.	AIR FLOW RATE [m³/h]			PRESSURE [Pa]			ENTHALPY EFFICIENCY SUMMER [%]			EFFICIENZA ENTALPICA INVERNO [%]			EFFICIENZA TEMPERATURA [%]			LIVELLO DI POTENZA SONORA [dB(A)]	
MOD.	speed max 1	speed max 2	speed max 3	speed max 1	speed max 2	speed max 3	speed max 1	speed max 2	speed max 3	vel. min. 1	vel. med. 2	vel. max. 3	vel. min. 1	vel. med. 2	vel. max. 3	vel. min. 1	vel. med. 2
300	250	300	300	75	82	85	62	57		65	61	61	73	68		23	27
600	500	600	600	89	92	97	63	59	59	67	61		76	70	70	25	31
800	700	800	800	92	96	100	57	55	55	63	57	57	74	68	68	32	37
1000	800	1000	1000	80	85	86	60	58	58	64	62	62	76	70	70	32	36
1300	1000	1300	1300	75	85	90	58	56	56	62	59	59	76	70	70	37	40

## FLOW RATE DIAGRAMS



## HEAT RECOVERY UNIT INSTALLATION DIAGRAM



- [1] Air intake
- [2] Recovery air passage duct
- [3] Insulating material placed on the expulsion duct at the outside
- [4] Fastenings of the machine to the ceiling
- [5] Delivery air passage duct
- [6] Air delivery

## ITEMS

CODE	DESCRIPTION
12300012	"HI-TECH PUR 300 m <sup>3</sup> /h" ENTHALPIC HEAT RECOVERY UNIT
12300014	"HI-TECH PUR 600 m <sup>3</sup> /h" ENTHALPIC HEAT RECOVERY UNIT
12300015	"HI-TECH PUR 800 m <sup>3</sup> /h" ENTHALPIC HEAT RECOVERY UNIT
12300016	"HI-TECH PUR 1000 m <sup>3</sup> /h" ENTHALPIC HEAT RECOVERY UNIT
12300017	"HI-TECH PUR 1300 m <sup>3</sup> /h" ENTHALPIC HEAT RECOVERY UNIT