

DATASHEET

rev. 01 - 4/11/2022

DQC

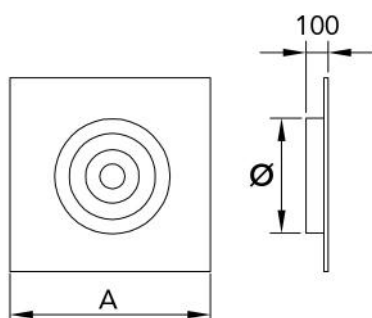
Circular diffuser on square panel in white painted metal

PWC200030 - PWC200031 - PWC200032



TECHNICAL SPECIFICATIONS:

- Made of white painted metal RAL 9016
- Suitable for air delivery and intake
- Equipped with damper and collar
- High operating efficiency
- Installation height 2.7 - 3.5 m
- Manually operated calibration damper fitted in the collar



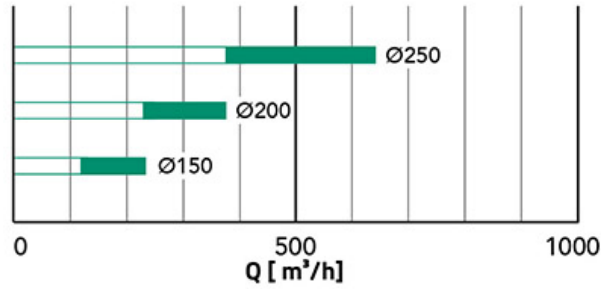
DIMENSIONS:

CODE	A [mm]	Ø [mm]
PWC200030	595 x 595	148
PWC200031	595 x 595	198
PWC200032	595 x 595	248

TECHNICAL DATA

Q [m³/h] MIN	Q [m³/h] MAX
150	250
250	380
380	630

RAPID AIR FLOW SELECTION



ITEMS

CODE	DESCRIPTION
PWC200030	DQC CIRCULAR DIFFUSER ON PANEL 595X595 IN WHITE PAINTED METAL RAL 9016
PWC200031	DQC CIRCULAR DIFFUSER ON PANEL 595X595 IN WHITE PAINTED METAL RAL 9016
PWC200032	DQC CIRCULAR DIFFUSER ON PANEL 595X595 IN WHITE PAINTED METAL RAL 9016