

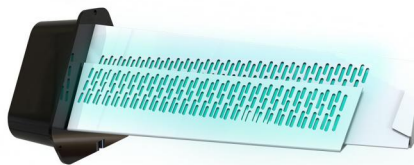
DATASHEET

rev. 01 - 26/11/2022

XHP30

HVAC bactericidal sanitising lamp with photoinitiator

HCC300018



TECHNICAL SPECIFICATIONS:

- Power supply 230V - 50Hz
- Power consumption 15 W
- Titanium dioxide (TiO₂) photoinitiator
- Operating range 2,500 - 3,000 m³/h
- 9,000 working hours
- Dimensions: L 165 x H 145 x D 385 mm
- Recommended maximum surface area 180 m²
- Wavelength 254 nm
- Effective irradiance: without grille 3.4 W/m² - with grille 0.5 W/m²

DESCRIPTION

The "XHP30" lamp is characterised by the innovative process of air purification, as a result of the effect of UVC light combined with the principle of photocatalysis.

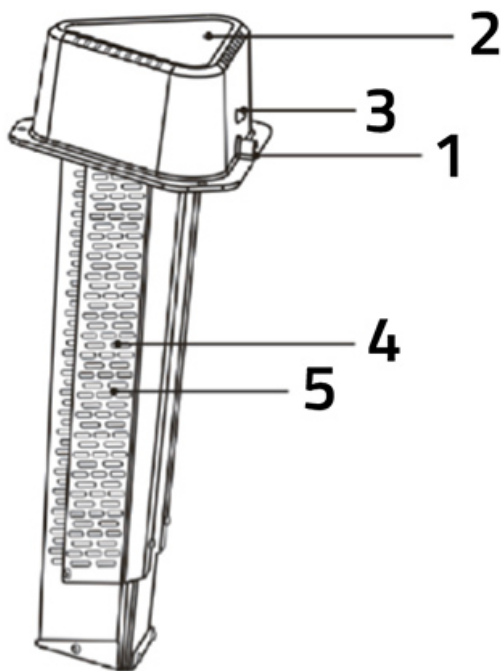
Titanium dioxide (TiO₂) is the photoinitiator present in the lamp and is activated by UVC rays, creating a reaction of transformation of the oxygen and humidity present in the air into superoxide ions and hydroxide ions.

The process generates oxidants that are harmless to humans, animals and plants.

The production of antioxidants aims to inhibit viruses, moulds and bacteria present in the air.

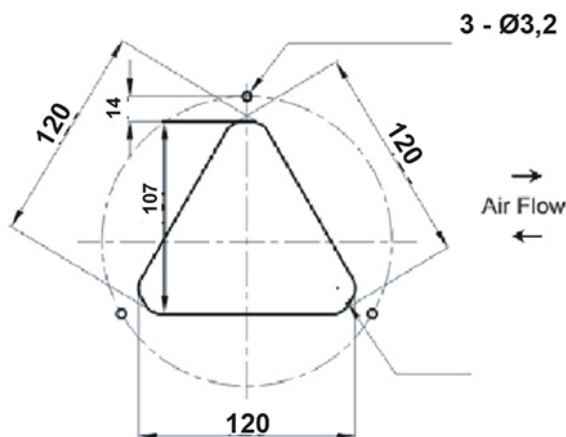
Use of the UVC lamp with photocatalytic structure is to sterilise the air flow in the ducts of the HVAC systems, in the air conditioning systems, in the heat recovery systems and in the ducts of the MVHR systems.

MAIN PARTS



- [1] Power cable
- [2] Electrical box
- [3] ON/OFF UV indicator light
- [4] UV lamp
- [5] Photocatalyser

DRILLING TEMPLATE



The lamp has a lifetime of 9,000 hours or two years after installation. After installation, the lamp loses its effectiveness and needs to be replaced.

The lamp does not have counters to indicate the working hours carried out, it must be programmed to change according to the working time.

Under some representative data:

- For use up to 12 hours a day: 2 years
- For use up to 16 hours a day: 1 year and a half
- For use up to 24 hours a day: 1 year

N.B. The entire device shall be replaced and not parts thereof

ITEMS

CODE	DESCRIPTION
HCC300018	BACTERICIDE SANITISING LAMP WITH PHOTOCATALYST XHP30