

DATASHEET

rev. 02 - 25/10/2023

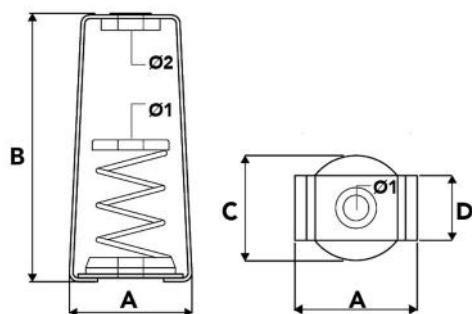
Spring-loaded vibration-damping for suspended systems

SCC500035 - SCC500033 - SCC500034



TECHNICAL SPECIFICATIONS:

- Steel compression spring mounted on rubber washer with anti-vibration damper on top
- Reduces acoustic bridging in ceiling-mounted machine installations
- Suitable for mounting ducted units, heat recovery unit and circular air ducts
- Pack in a set of 4 pcs.



DIMENSIONS

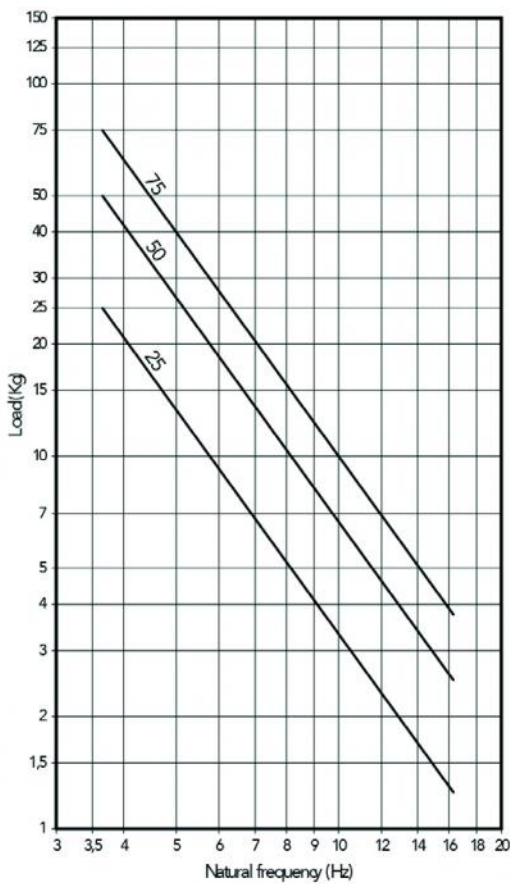
CODE	A [mm]	B [mm]	C [mm]	D [mm]	Ø 1 [mm]	Ø 2 [mm]
SCC500035	80	120	60	50	M8	12
SCC500033	80	120	60	50	M8	12
SCC500034	80	120	60	50	M8	12

TECHNICAL DATA

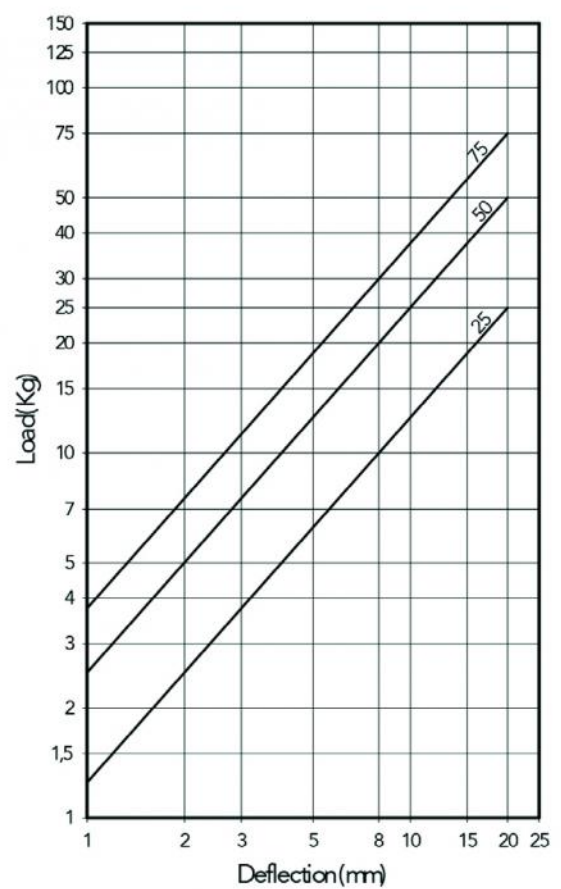
CODE	MAX. CAPACITY [kg/pz]
SCC500035	25
SCC500033	50
SCC500034	75

PROPRIETÀ ELASTICHE:

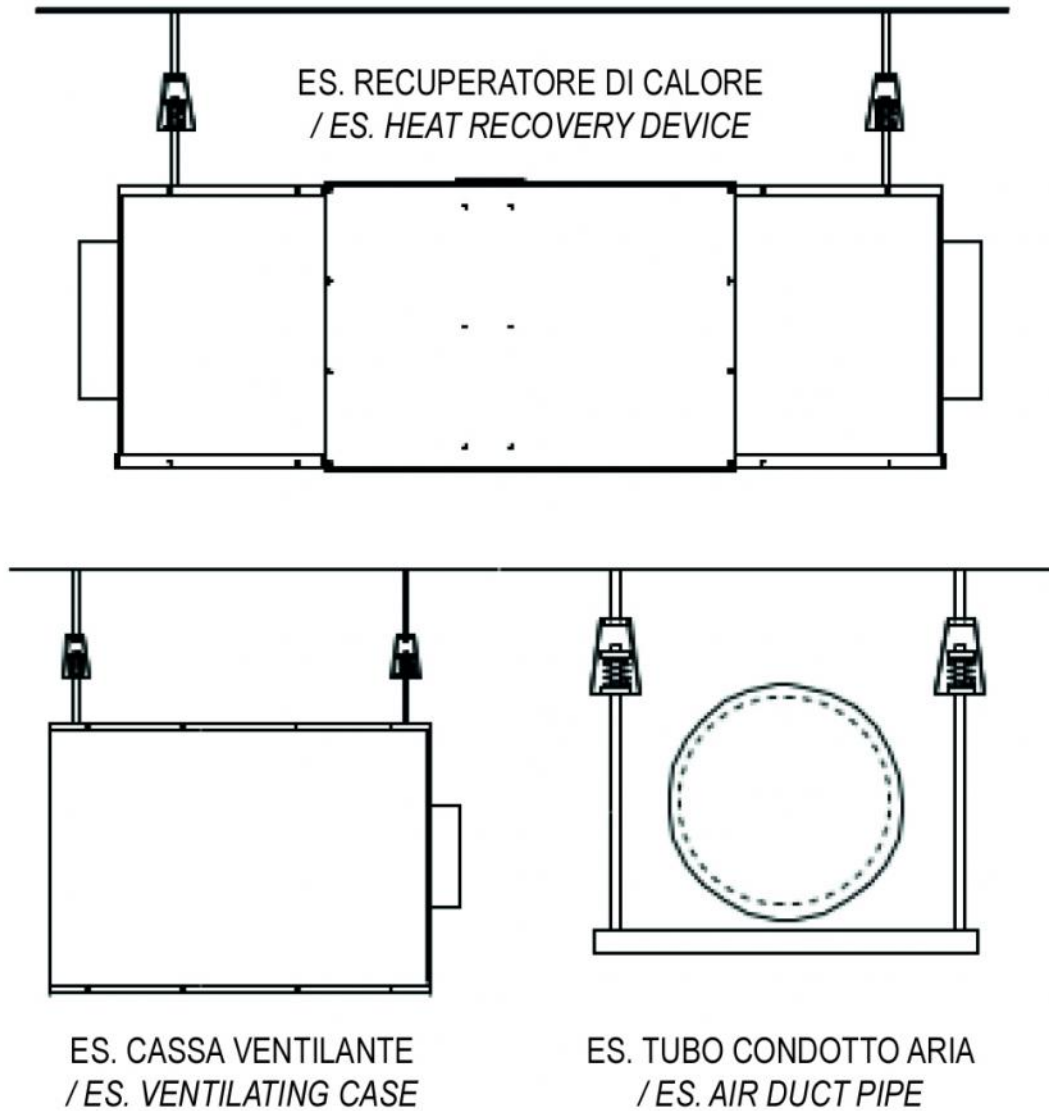
Frequenza naturale / *Natural frequency (Hz)*



Deflessione sotto carico / *Deflection (mm)*



ESEMPIO D'INSTALLAZIONE:



ITEMS

CODE	DESCRIPTION
SCC500035	ANTI-VIBRATION SPRING FOR SUSPENDED UNITS - 25 KG
SCC500033	ANTI-VIBRATION SPRING FOR SUSPENDED UNITS - 50 KG
SCC500034	ANTI-VIBRATION SPRING FOR SUSPENDED UNITS - 75 KG