

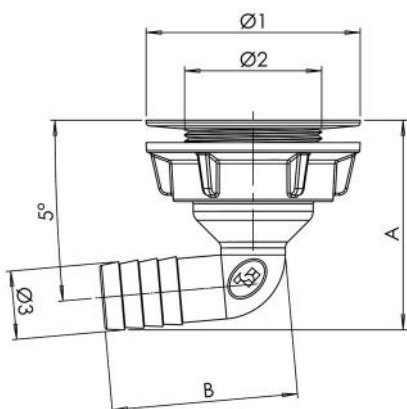
# DATASHEET

rev. 00 - 15/12/2022

MADE IN ITALY

95° angle condensate drain plug with threaded collar connection Ø32

SCD300040 - SCD300041 - SCD300042



## DIMENSIONS

CODE	A [mm]	B [mm]	Ø1 [mm]	Ø2 [mm]	Ø3 [mm]
SCD300040	49	43,4	50	32	16
SCD300041	52,2	50,2	50	32	20
SCD300042	56	57,8	50	32	25

## ITEMS

CODE	DESCRIPTION
SCD300040	
SCD300041	
SCD300042	