

DATASHEET

rev. 01 - 03/11/2023

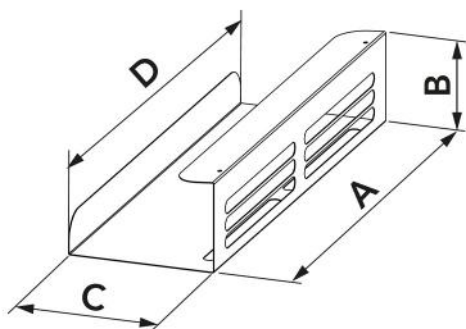
Deflector kit for box conditioners

SCD600001 - SCD600020



TECHNICAL SPECIFICATIONS:

- Made of electro-galvanised sheet metal
- Painting polyester white RAL 9016
- Closed-cell polyethylene interior anti-condensation insulation (5mm thick)
- Fastenings not included
- Available in 4-piece kits



DIMENSIONS

CODE	A [mm]	B [mm]	C [mm]	D [mm]
SCD600001	530	105	170	530
SCD600020	530	105	170	200

ITEMS

CODE	DESCRIPTION
SCD600001	DEFLECTOR FOR CASSETTE UNITS (1 kit = 4 pcs)
SCD600020	