

HERCULES MODULAR

1-2-3

adjustable support system

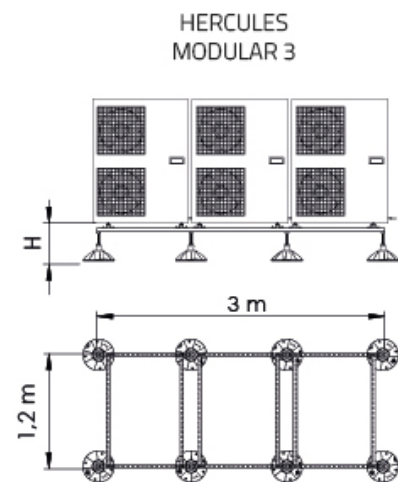
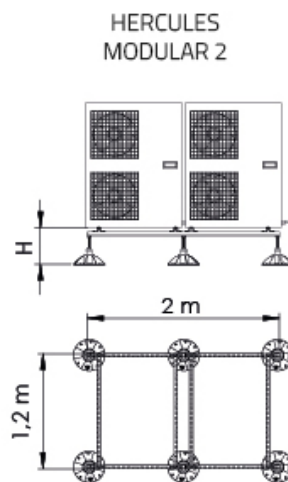
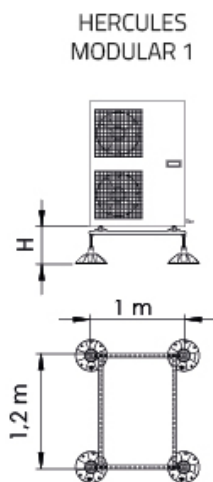
SCD500052 - SCD500053 - SCD500054
 SCD500055 - SCD500056 - SCD500057
 SCD500058 - SCD500059 - SCD500060



TECHNICAL SPECIFICATIONS:

- Galvanised steel profile structure
- Adjustable feet "Hercules" model
- Adaptable to all machines on the market
- Height-adjustable
- Ideal for burners VRV - VRF - refrigerator groups and UTA

DIMENSIONS



CODE	H [mm]	LOAD CAPACITY [kg]
SCD500052	270 - 360	8000
SCD500053	320 - 450	8000
SCD500054	430 - 560	8000
SCD500055	150 - 300	12000
SCD500056	150 - 400	12000
SCD500057	150 - 500	12000
SCD500058	150 - 300	16000
SCD500059	150 - 400	16000
SCD500060	150 + 500	16000

ITEMS

CODE	DESCRIPTION
SCD500052	"HERCULES MODULAR 1" 150-300 ADJUSTABLE MOUNT SYSTEM
SCD500053	"HERCULES MODULAR 1" 150-400 ADJUSTABLE MOUNT SYSTEM
SCD500054	"HERCULES MODULAR 1" 150-50 ADJUSTABLE MOUNT SYSTEM ***AVAILABLE ON REQUEST
SCD500055	"HERCULES MODULAR 2" 150-300 ADJUSTABLE MOUNT SYSTEM
SCD500056	"HERCULES MODULAR 2" 150-400 ADJUSTABLE MOUNT SYSTEM
SCD500057	"HERCULES MODULAR 2" 150-50 ADJUSTABLE MOUNT SYSTEM***AVAILABLE ON REQUEST
SCD500058	"HERCULES MODULAR 3" 150-300 ADJUSTABLE MOUNT SYSTEM
SCD500059	"HERCULES MODULAR 3" 150-400 ADJUSTABLE MOUNT SYSTEM
SCD500060	"HERCULES MODULAR 3" 150-50 ADJUSTABLE MOUNT SYSTEM***AVAILABLE ON REQUEST