

GENIUS 1200 MODULAR HIGH ARTICULATED

adjustable support system

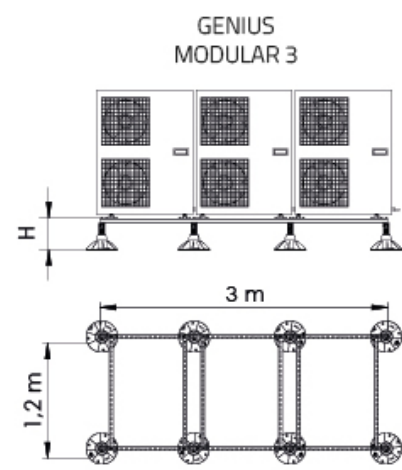
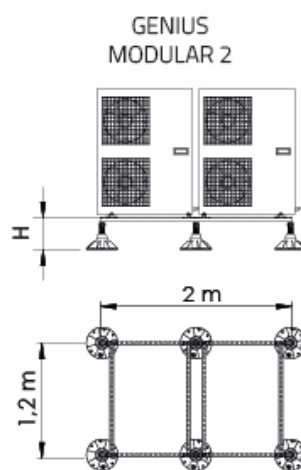
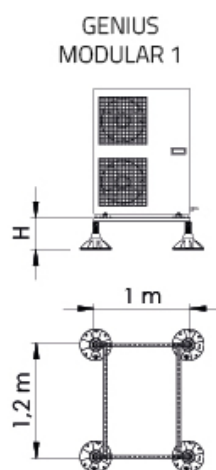
SCD500061 - SCD500062 - SCD500063



TECHNICAL SPECIFICATIONS:

- Galvanised steel profile structure
- Adjustable, swivel feet "Genius" model
- Adaptable to all machines on the market
- Height-adjustable
- Ideal for burners VRV - VRF - refrigerator groups

DIMENSIONS



| CODE | H [mm] | LOAD CAPACITY [kg] |
|-----------|-----------|--------------------|
| SCD500061 | 280 - 370 | 2000 |
| SCD500062 | 280 - 370 | 3000 |
| SCD500063 | 280 - 370 | 4000 |

ITEMS

| CODE | DESCRIPTION |
|-----------|----------------------------------------------------|
| SCD500061 | "GENIUS MODULAR 1" 200-300 ADJUSTABLE MOUNT SYSTEM |
| SCD500062 | "GENIUS MODULAR 2" 200-300 ADJUSTABLE MOUNT SYSTEM |
| SCD500063 | "GENIUS MODULAR 3" 200-300 ADJUSTABLE MOUNT SYSTEM |