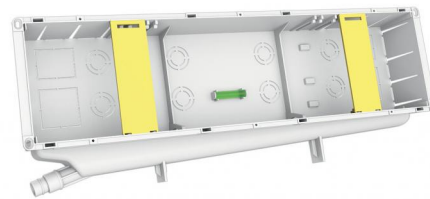


ELISYUM HYDRONIC CLASSIC

built-in installation box

SCD200001 - SCD200003



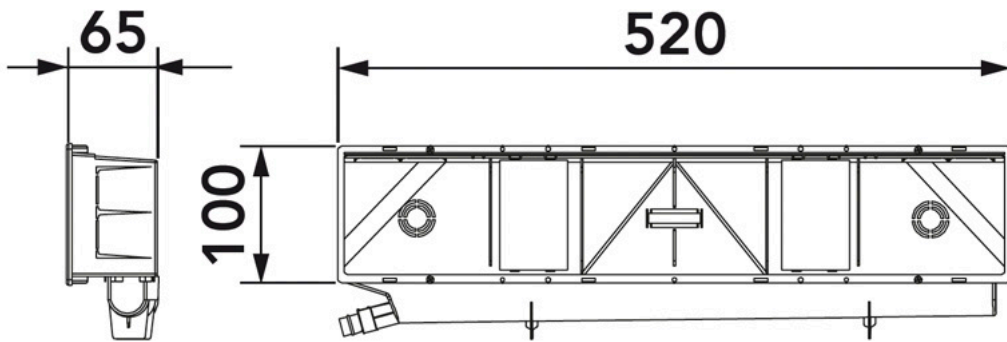
TECHNICAL SPECIFICATIONS:

- Right/left reversible tilted rear conveyor with multiple side coupling $\varnothing 16 - \varnothing 20$
- Protection grille
- Adjustable template fastening plates
- Built-in spirit level
- Anti-plaster cardboard
- Interlocking cover or with screws
- Holes for fastening to plasterboard walls
- Ideal for applications with insulated pipes with a diameter of 52 mm

PACK COMPLETE WITH

- 1 preparation box with built-in level
- 1 Interlocking lid
- 2 staffe per fissaggio dima
- 1 cartoncino anti intonaco

DIMENSIONS



COMBINATIONS WITH CONDENSATE DRAIN PIPES IN THE CATALOGUE:

Pipe 18/20 Art.11126346 (direct connection)

Pipe 18/20 Art.11126320 (direct connection)

TCR-21 rigid tube (using the MP-TCR-21)

ITEMS

CODE	DESCRIPTION
SCD200001	"ELISYUM HYDRONIC CLASSIC" READY-TO-PLUMB ENCLOSURE WITH TRAP AND SNAP-ON COVER
SCD200003	"ELISYUM HYDRONIC ELITE" CLASSIC-TO-PLUMB ENCLOSURE WITH TRAP + COVER W/ SCREWS