

EXCELLENS CPS

articulated flat curve

11121111 - 11121110 - N11121111
N11121110 - E11121111 - E11121110
SCD100019 - SCD100064 - SCD100190



TECHNICAL SPECIFICATIONS:

- Stiff, shockproof, anti-UVA and recyclable PVC
- Interlocking bottom and lid
- Duct profile locating ridge
- Large internal bending radius, adjustable from 90° to 135°
- Heat shrink barcode packaging
- Galvanised screws
- Paintable
- Operating temperature -20°C / +60°C

MODELS AVAILABLE:



TOP LINE - IVORY
RAL 9002



NEW LINE -
WHITE RAL 9010



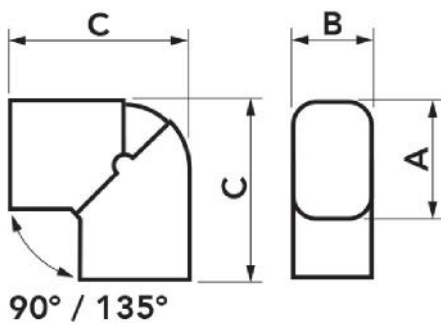
ECO LINE - PEARL
GREY RAL 9003



BROWN LINE -
BROWN RAL 8017



BLACK LINE -
BLACK RAL 9005



DIMENSIONS

CODE	MODEL	LINE	A [mm]	B [mm]	C [mm]
11121111	CPS 60 - EXC	TOP LINE	66	56	110
11121110	CPS 72 - EXC	TOP LINE	78	68	130
N11121111	CPS 60 - EXC	NEW LINE	66	56	110
N11121110	CPS 72 - EXC	NEW LINE	78	68	130
E11121111	CPS 60 - EXC	ECO LINE	66	56	110
E11121110	CPS 72 - EXC	ECO LINE	78	68	130
SCD100019	CPS 72 - EXC	BROWN LINE	78	68	130
SCD100064	CPS 72 - EXC	BLACK LINE	78	68	130
SCD100190	CPS 72 - EXC	GREY LINE	78	68	130

ITEMS

CODE	DESCRIPTION
11121111	CPS 60- EXC - "EXCELLENS CPS" LINE FLAT JOINTED ELBOW
11121110	CPS 72- EXC - "EXCELLENS CPS" LINE FLAT JOINTED ELBOW
N11121111	CPS 60- EXC - "EXCELLENS CPS" LINE FLAT JOINTED ELBOW
N11121110	CPS 72- EXC - "EXCELLENS CPS" LINE FLAT JOINTED ELBOW
E11121111	CPS 60- EXC - "EXCELLENS CPS" LINE FLAT JOINTED ELBOW
E11121110	CPS 72- EXC - "EXCELLENS CPS" LINE FLAT JOINTED ELBOW
SCD100019	CPS 72- EXC - * FLAT JOINTED ELBOW "EXCELLENS CPS" MOD. CPS 72-EXC - BROWN LINE
SCD100064	CPS 72- EXC - * FLAT JOINTED ELBOW "EXCELLENS CPS" MOD. CPS 72-EXC - BLACK LINE
SCD100190	