

# VELIS WIFI



- / Wi-Fi integrated for remote control via smartphone
- / Aqua Ariston NET app: easy interaction, up to 25%\* energy saving and prompt performance feedback.

**ENERGY CLASS**



- / Exclusive Italian design
- / Elegant metal brushed panel
- / Flat design, only 27 cm deep

- / Wall-hung multiposition installation
- / Soft touch and simple display
- / ECO EVO function

- / Enameled heating element
- / Titanium glasslined inner tank tested at 16 bar
- / High precision temperature sensors
- / Two magnesium anode
- / Two 5-bolts flange
- / Pressure safety valve tested at 8 bar
- / Ecological polyurethane insulation



\*Estimated saving up to 25% on daily basis, compared to Ariston standard mechanical products.

**TECHNICAL DATA**

		50	80	100
Nominal Capacity	l	50	80	100
Mixed water at 40°C**	°C	80	125	156
Installation	V/H	V/H	V/H	V/H
Power	kW	1,5	1,5	1,5
Heating element		Enameled	Enameled	Enameled
Voltage	V	230	230	230
Heating time (ΔT=45°C)	h,min	1,30	2,15	2,5
Max working pressure	bar	8	8	8
Max working temperature	°C	80	80	80
Weight	kg	21,7	28,3	32,2
Class	IP	X4	X4	X4

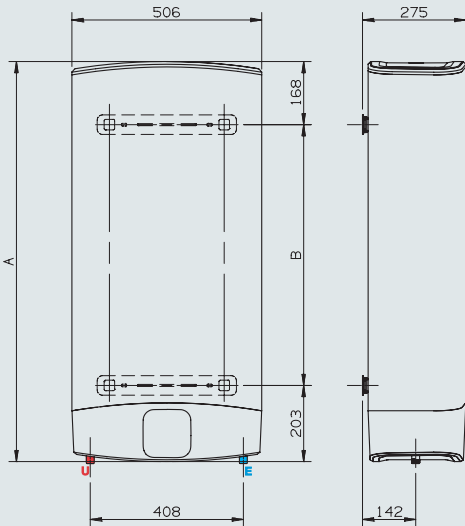
**OVERALL DIMENSIONS**

		50	80	100
a	mm	776	1066	1251
b	mm	405	695	880

\*\*Vertical installation, set temperature of 65°C

**VELIS WIFI EU**

	50	80	100
Energy class	B	B	B
Tapping profile	M	M	M
CODE	3626323	3626324	3626325



**LEGEND**

- E** Cold water inlet G 1/2"
- U** Hot water outlet G 1/2"

NOTE: The Nominal capacity listed in this catalogue identifies the product category. The actual product capacity is listed in the relative technical documentation.

