



Manual

[EN] V 2020

Importer:
SALUS Controls Plc
Units 8-10 Northfield Business Park
Forge Way, Parkgate, Rotherham
S60 1SD, United Kingdom



www.salus-controls.com

SALUS Controls is a member of the Computime Group.

Maintaining a policy of continuous product development SALUS Controls plc reserve the right to change specification, design and materials of products listed in this brochure without prior notice.



Technical Information

Power Supply	from the KL06 wiring centre
Max load	5 (2) A
Outputs	2 x NO/COM relay
Dimensions [mm]	70 x 80 x 20

Introduction

PL07 module extend a functionality of KL06 wiring centre. Module is used to control the pump and the boiler using volt-free COM/NO contacts. When any of thermostats connected to the KL06 230V reports heat demand, COM/NO contacts are closing. COM/NO contacts are opening, when thermostats connected to the wiring centre will stop sending signal for heating.

Product Compliance

This product complies with the essential requirements and other relevant provisions of the following EU Directives: EMC 2014/30/EU, Low Voltage Directive LVD 2014/35/EU, RoHS directive 2011/65/EU. The full text of the EU Declaration of Conformity is available at the following internet address: www.saluslegal.com.

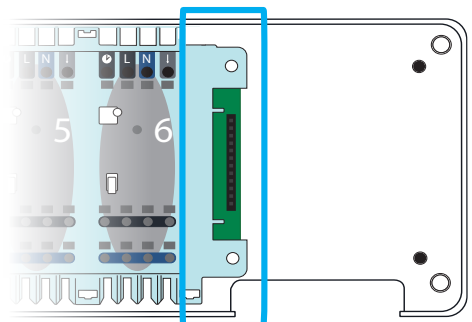
Safety information

Use in accordance to national and EU regulations. Use the device as intended, keeping it in dry condition. Product for indoor use only. Installation must be carried out by a qualified person in accordance to national and EU regulations.

Before any of operation related to power supply (connecting wires, installing the device, etc.), make sure that devices is not connected to any power source. Installation must be carried out by a qualified person. Incorrect connection of the wires may cause damage to the wiring centre. The module can not be used in conditions of water vapor condensation neither exposed to water.

Serial connector for PL06 and PL07 modules

It provides communication between the KL06 wiring centre and the PL07 module. KL06 wiring centre + PL07 module increases functionality and additionally makes possible to control pump and boiler. PL07 module is powered from the wiring centre.



Jumpers description

ON-OFF Delay jumper

Is used to activate the delay output for the pump and boiler. Default is „ON“.



- „ON“ position activates the pump and boiler outputs with a delay of 3 minutes after the heating signal is supplied from any of the thermostats connected to the wiring centre.
- „OFF“ position causes immediate activation of the pump and boiler outputs.

ON-OFF Overrun jumper

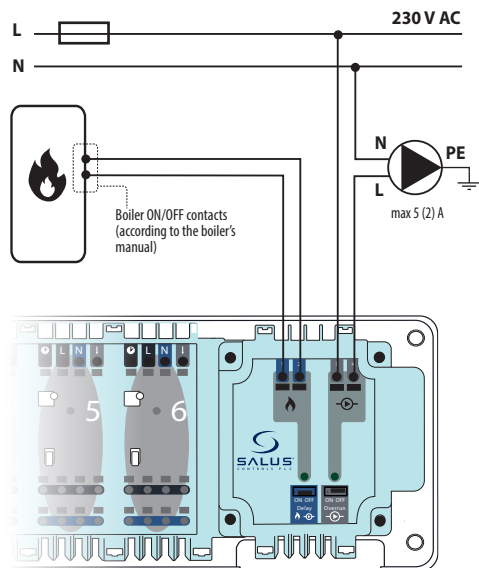
Is used to activate the delay output for the pump when heating is satisfied. Default is „ON“.



- „ON“ position turns OFF the pump output with a delay of 3 minutes when all thermostats stop calling for heat.
- „OFF“ position immediately turns OFF the pump output when all thermostats stop calling for heat.

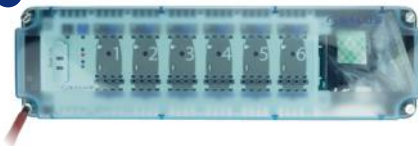
Wiring diagrams

PUMP AND BOILER CONTROL



INSTALLATION OF THE ADDITIONAL MODULE

1



Remove the top cover of the wiring centre.



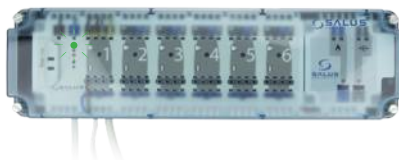
Note: Before connecting module, disconnect the main power from the KL06 wiring centre.

2



Connect the module to the serial connector.

3



Make sure that all the wires are properly connected, mount top cover and power up the wiring centre - the green „Power“ indicator LED will illuminate.