

TS600 Appstat

The new SALUS TS600 Appstat is the latest addition to the SALUS Smart Home range. The TS600 has all the features of a traditional programmable thermostat but is uniquely controlled via the SALUS Smart Home app from a Smartphone, Tablet or PC.



The sleek and in-obtrusive design makes the TS600 an ideal solution for locations which demand discrete controls while still ensuring optimum heating comfort.

Likewise the remote only interface makes the TS600 Appstat perfect for managed properties that prefer to avoid local user intervention.



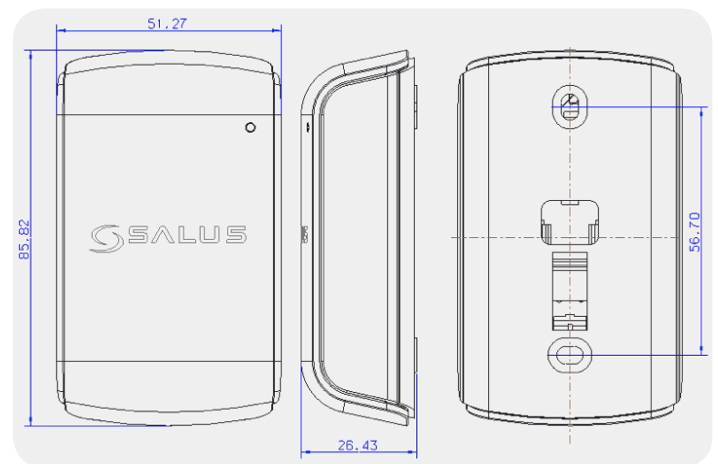
SALUS
CONTROLS

www.salus-tech.com

| Features | Benefits |
|--------------------------------------|--|
| Sleek and inobtrusive Design | Ideal for discrete installations whilst still allowing full featured heating zoning |
| App only Interface | No local user interface, perfect for use in Public buildings or institutions where no local user intervention is preferred. Allows for a more cost-effective system solution where multiple zones are required |
| Full featured functionality | Includes all standard SALUS Smart Home thermostat functionality including Smart Radiator Control (TRVs) in a simplified package |
| Smart Home integration | Simple and quick to setup. Simply adds on to existing SALUS Smart Home System via the Connection Gateway |
| Control via the SALUS Smart Home app | Control your heating and other devices from anywhere using a Smartphone, Tablet or PC |
| Clear and easy to use | Provides simple zoned control of heating system suitable for all users |
| 5 year warranty | For maximum peace of mind |

Terminal Definition

| | |
|---------------|---------------------------|
| Supply: | 2 x AA Alkaline batteries |
| RF Frequency: | Zigbee 2.4 Ghz |
| Scale: | 5-35° |
| Size (mm): | H:85, W:51, D:26 |



Optional Sensor Wiring

| | |
|----|----------------------------|
| S1 | External sensor (optional) |
| S2 | External sensor (optional) |

| Part Number | Description |
|-------------|-------------|
| TS600 | Appstat |

Smart Home App

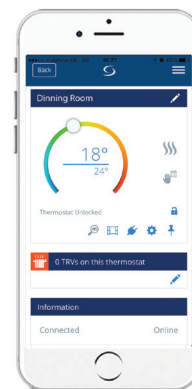
The Smart Home App is available on IOS and Android. With easy to use functions and simple to add heating schedules.



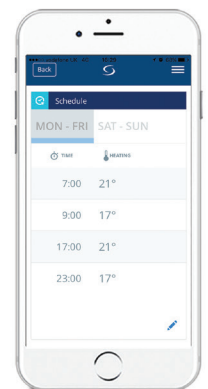
Easy to manage icons



Easy to control



Easy to edit settings



Simple to set up schedules